

Wireless Gateway

User's Guide

WW-3C28



低功率電波輻射性電機管理辦法

第十二條

經型式認證合格之低功率射頻電機，非經許可，公司、商號或使用者均不得擅自變更頻率、加大功率或變更原設計之特性及功能。

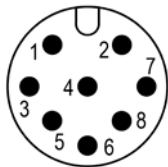
第十四條

低功率射頻電機之使用不得影響飛航安全及干擾合法通信；經發現有干擾現象時，應立即停用，並改善至無干擾時方得繼續使用。前項合法通信，指依電信法規定作業之無線電通信。低功率射頻電機須忍受合法通信或工業、科學及醫療用電波輻射性電機設備之干擾。

Indicator

Status Indicator	Green lights stay on: Wireless data receiving. Red lights stay on: Wireless data transmission. Green + Red lights stay on: RF part entry boot mode.
Power Indicator	Green lights stay on: Power ready. Red lights stay on: Entry setup mode. Green + Red lights stay on: Main part entry boot mode.

Interface



- ① DC in+: 12V to 36V DC / 1A
- ② DC in-: GND
- ③ DC out+: 5V DC / 200mA
- ④ DC out-: GND
- ⑤ RS-485 A: Non-isolator differential interface, Data-
- ⑥ RS-485 B: Non-isolator differential interface, Data+
- ⑦ A / D input: Analog Input support 0~10 V / 4~20 mA / ADC
Digital Input support High / Low signal judge
- ⑧ Dio output: Digital Output support PWM / Latch Mode

Antenna Connector: RP-SMA-Female

Specification

Product Type	Outdoor
Air Stream Protocol	LoRa Wireless Protocol (No support LoRaWan)
Operating Frequency Range	410 ~ 525MHz / 862 ~ 1020MHz (According to the local regulatory compliance.)
Sensitivity	Up to -136dBm@SF=7 / 10.4K bandwidth
Transmit RF Power	Maximum 2W
Interface	RS-485 x 1 / Analog or Digital Input x 1 / Digital Output x 1
RS-485 Protocol	Modbus RTU
Serial Interface Baud Rate	1200bps / 2400bps / 4800bps / 9600bps / 19200bps / 38400bps / 57600bps / 115200bps / 230400bps
Analog Input	Analog Input Support 0~10 V / 4~20 mA / ADC(0~10 V)
Digital Input	Digital Input Support High / Low Signal Judge
Digital Output	Digital Output Support PWM / Latch Mode
Operating Temperature	-40°C ~ 85°C
Topology	Broadcast / Group / Peer to Peer
Main Unit Dimensions	10 x 10 x 4.8 cm (Not include antenna and external connect)
Weight	195 g
Waterproof	IP 68
Input Power Supply	12V ~ 36V DC / 1A
Output Power Supply	5V DC / 200mA (Max.)
Power Consumption	24V 15mA @868 / 920MHz receive 24V 400mA @868 / 920MHz transmit 2W
Special Specification	Flame Retardant

* Support Setup or firmware update function via RS-485 interface.

AUX I / O Remote Command

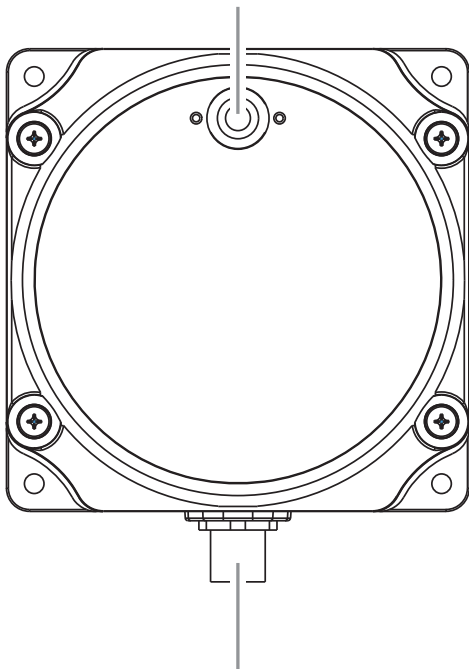
Additional command information is available at www.win-tec.com.tw

Contents

Introduction	1
Cable Define	2
Connect the PC	3
Connect the RS-485 Sensor	4
Connect the 4~20mA Sensor	5
Connect the 0~10V Sensor	6
Connect the Driver / Controller	7
Dimensions	8
Assembling	9

Introduction

Antenna Connector



Interface

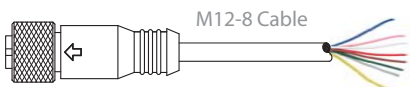
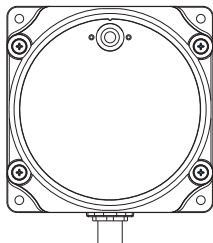
Cable Define

I M12-8 Cable



Pin Define	Cord end Terminal Color	Pin Function
1	Brown	DC in+
2	White	DC in-
3	Green	DC out+
4	Red	DC out-
5	Yellow	RS-485 A
6	Gray	RS-485 B
7	Blue	A/D input
8	Pink	D output

Connect the PC



Brown ① DC in+



DC+ 12~36V

White ② DC in-



DC -

Green ③ DC out+



Red ④ DC out-



Yellow ⑤ RS-485 A



RS-485 A

Gray ⑥ RS-485 B



RS-485 B

Blue ⑦ A/D input



USB to RS-485 Cable

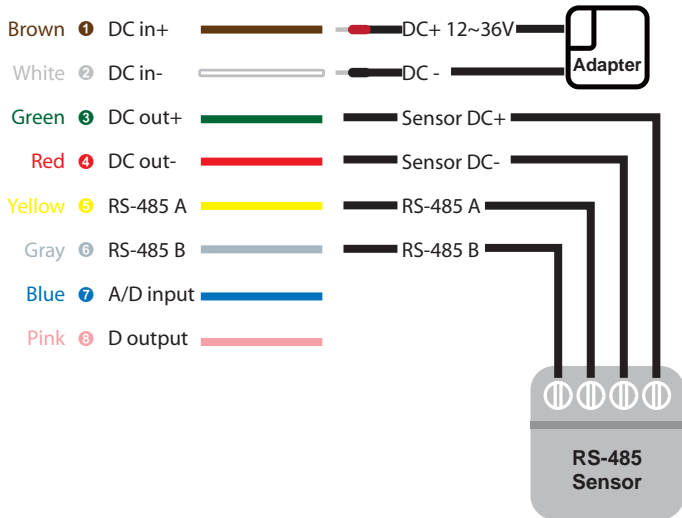
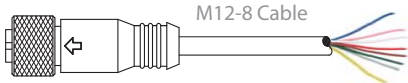
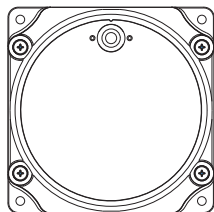
Pink ⑧ D output



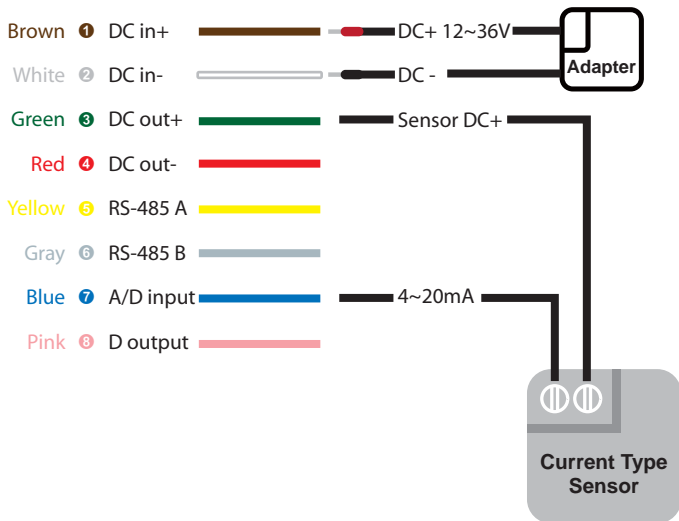
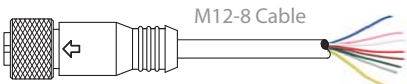
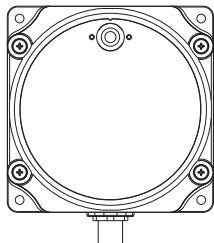
Power Line



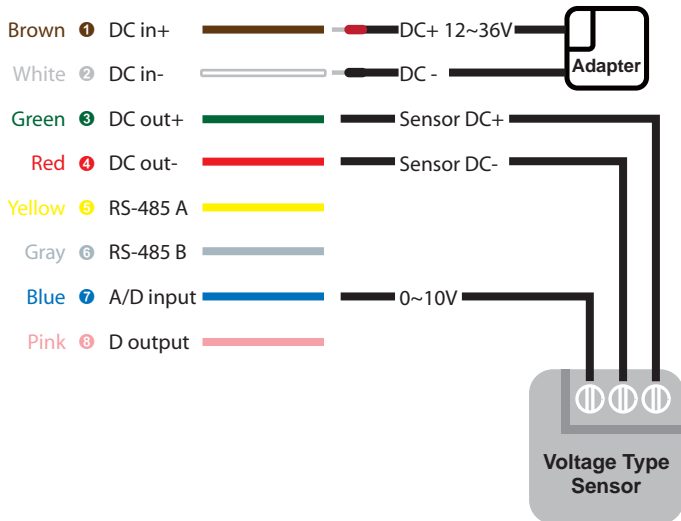
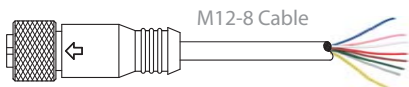
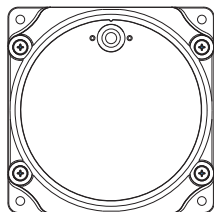
Connect the RS-485 Sensor



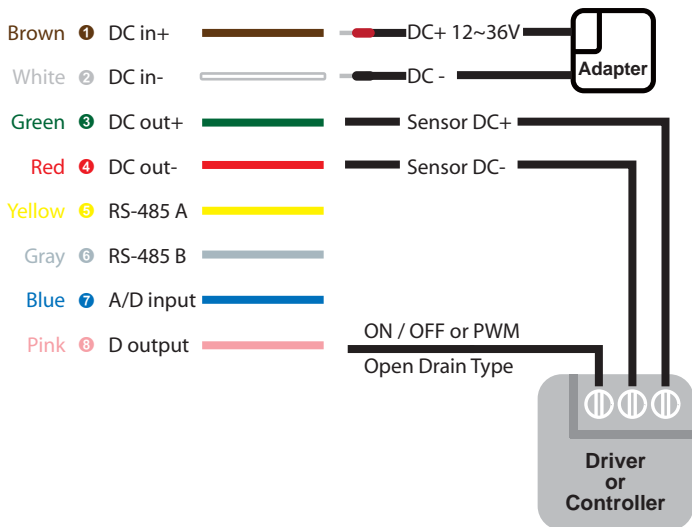
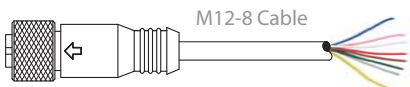
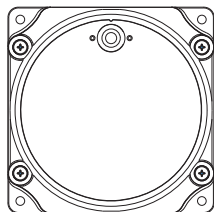
Connect the 4~20mA Sensor



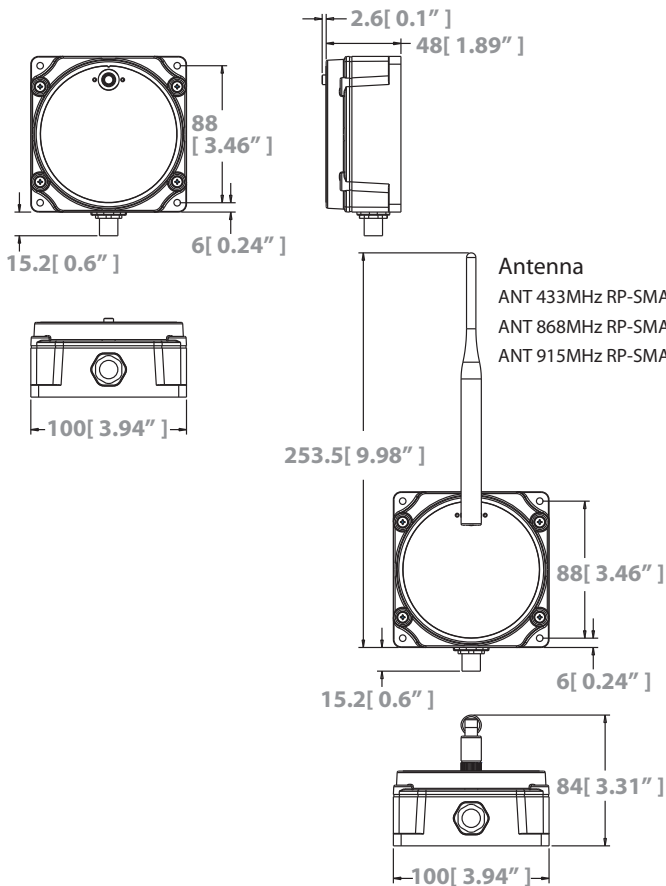
Connect the 0~10V Sensor



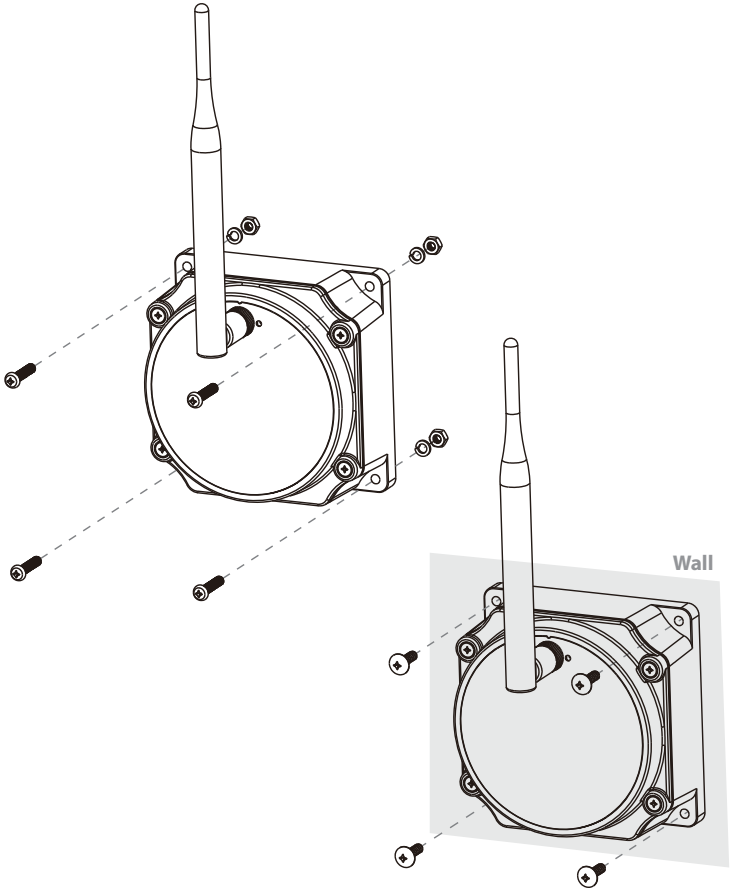
Connect the Driver / Controller



Dimensions



Assembling



www.win-tec.com.tw
sales@win-tec.com.tw