

# Wireless Gateway

## Connection Guide

WB-3628



#### 低功率電波輻射性電機管理辦法

##### 第十二條

經型式認證合格之低功率射頻電機，非經許可，公司、商號或使用者均不得擅自變更頻率、加大功率或變更原設計之特性及功能。

##### 第十四條

低功率射頻電機之使用不得影響飛航安全及干擾合法通信；經發現有干擾現象時，應立即停用，並改善至無干擾時方得繼續使用。前項合法通信，指依電信法規定作業之無線電通信。低功率射頻電機須忍受合法通信或工業、科學及醫療用電波輻射性電機設備之干擾。

## Indicator

Status Indicator	Green lights stay on: Wireless data receiving. Red lights stay on: Wireless data transmission. Green + Red lights stay on: RF part entry boot mode.
Power Indicator	Green lights stay on: Power ready. Red lights stay on: Entry setup mode. Green + Red lights stay on: Main part entry boot mode.

## Interface

DC in+: 12V to 30V DC / 1A

DC in-: GND

DC out+: 5V DC / 200mA

DC out-: GND

RS-232: TxD (RS-232 TX), RxD (RS-232 RX), GND (Connect to DC out-)

RS-485: Non-isolator differential interface, Data- (RS-485 A), Data+ (RS-485 B)

Support MODBUS RTU protocol

Antenna Connector: RP-SMA-Female

Micro USB: Setup or firmware update function (Wintec specific setup cable)

## Specification

Product Type	Indoor
Air Stream Protocol	LoRa Wireless Protocol (No support LoRaWan)
Operating Frequency Range	410 ~ 525MHz / 862 ~ 1020MHz*
Sensitivity	Up to -136dBm@SF=7 / 10.4K bandwidth
Transmit RF Power	Maximum 2W
Interface	RS-485 x 1 / RS-232 x 1
RS-485 Protocol	Modbus RTU
Serial Interface Baud Rate	1200bps / 2400bps / 4800bps / 9600bps / 19200bps / 38400bps / 57600bps / 115200bps / 230400bps
Operating Temperature	-40°C ~ 85°C
Topology	Broadcast / Group / Peer to Peer
Main Unit Dimensions	10 x 10 x 2.98 cm (Not include antenna)
Weight	140 g
Input Power Supply	12V ~ 30V DC / 1A
Output Power Supply	5V DC / 200mA (Max.)
Power Consumption	24V 15mA @868 / 920MHz receive 24V 400mA @868 / 920MHz transmit 2W
Special Specification	Flame Retardant

\* According to the local regulatory compliance.

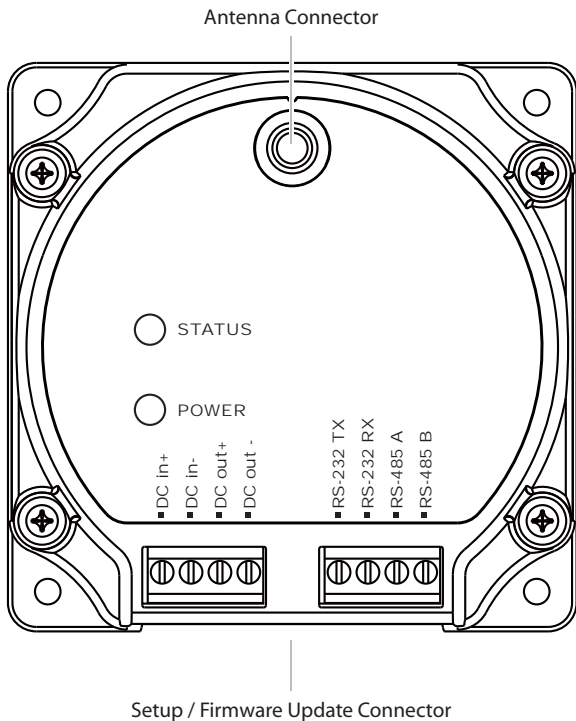
## Change Transmitter Target Command

Additional command information is available at [www.win-tec.com.tw](http://www.win-tec.com.tw)

# Contents

Introduction	1
Cable Define	2
Connect the PC for Settings	3
Connect the PC	4
Connect the RS-485 Sensor	5
Connect the RS-232 Sensor	6
Dimensions	7
Dimensions (W/O Antenna)	8
Assembling	9

# Introduction



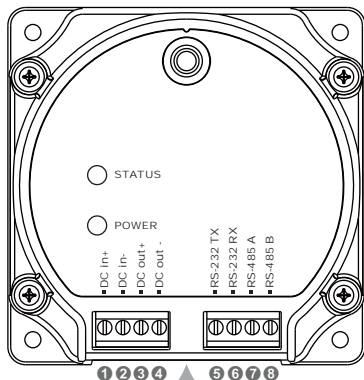
# Cable Define

## | Special Setting Cable

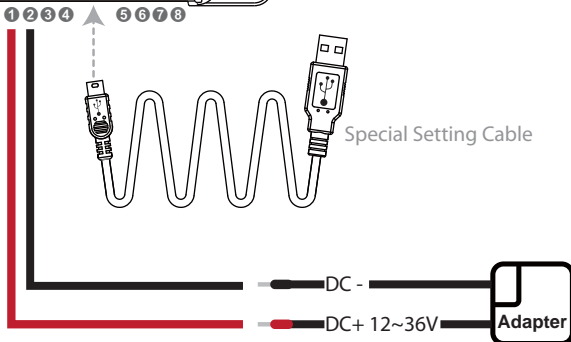


Wireless indoor industrial box series exclusive USB cable, used in configuration settings.

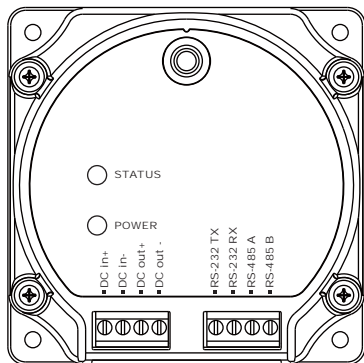
# Connect the PC for Settings



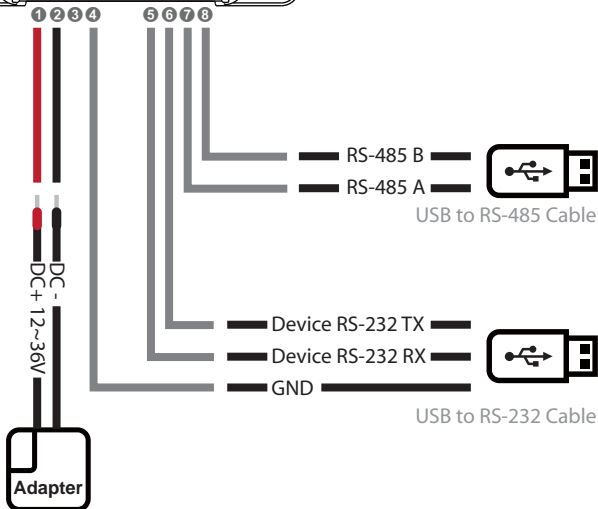
- 1 DC in+
- 2 DC in-
- 3 DC out+
- 4 DC out-
- 5 RS-232 TX
- 6 RS-232 RX
- 7 RS-485 A
- 8 RS-485 B



# Connect the PC

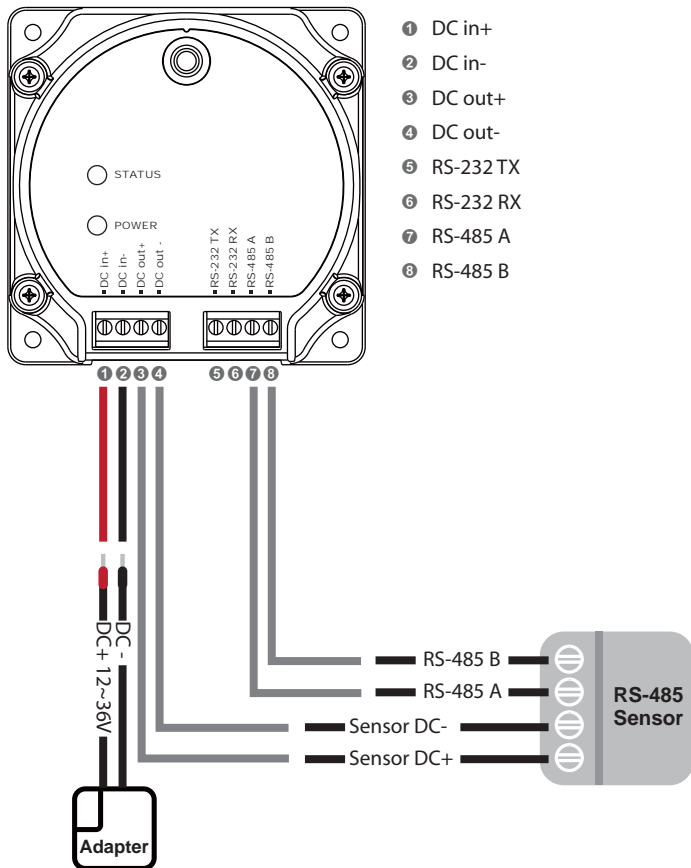


- 1 DC in+
- 2 DC in-
- 3 DC out+
- 4 DC out-
- 5 RS-232 TX
- 6 RS-232 RX
- 7 RS-485 A
- 8 RS-485 B

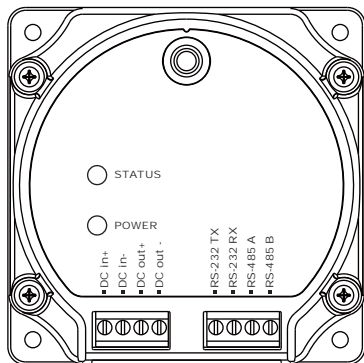




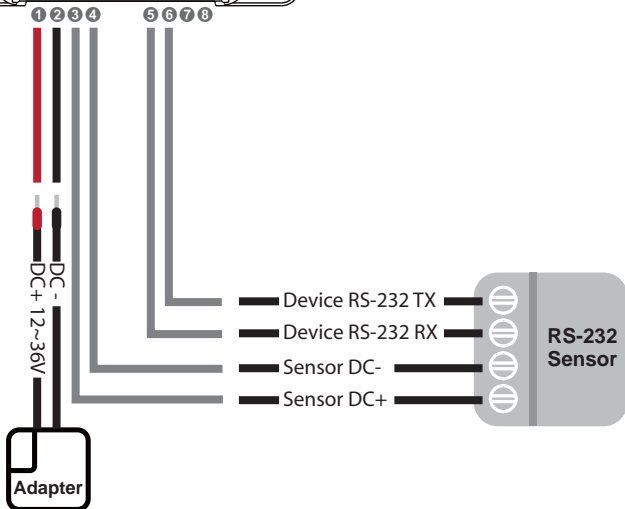
# Connect the RS-485 Sensor



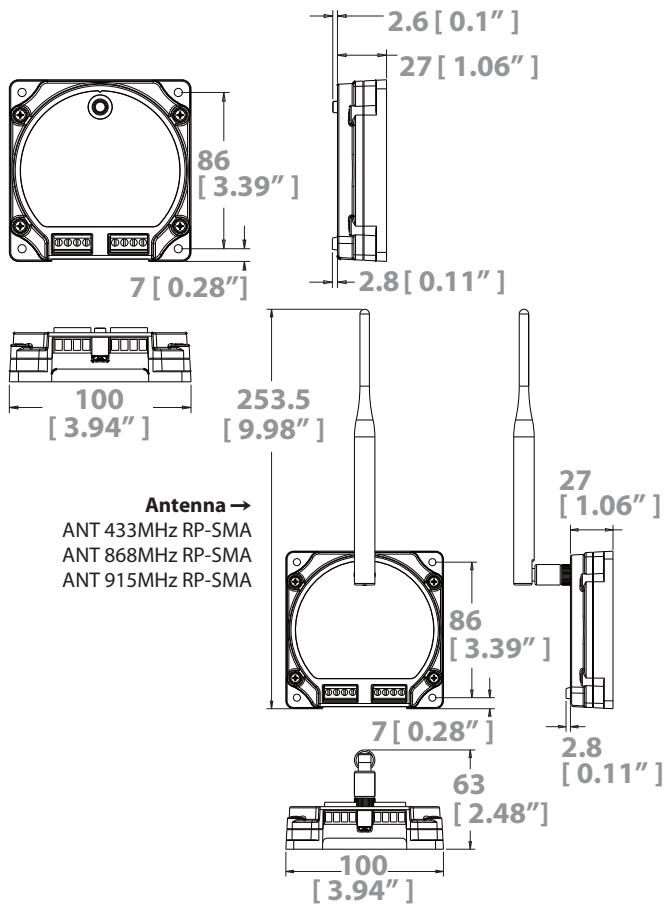
# Connect the RS-232 Sensor



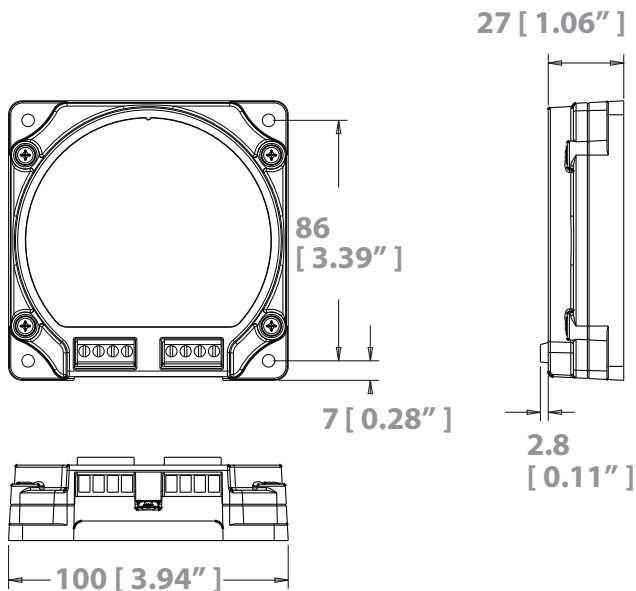
- 1 DC in+
- 2 DC in-
- 3 DC out+
- 4 DC out-
- 5 RS-232 TX
- 6 RS-232 RX
- 7 RS-485 A
- 8 RS-485 B



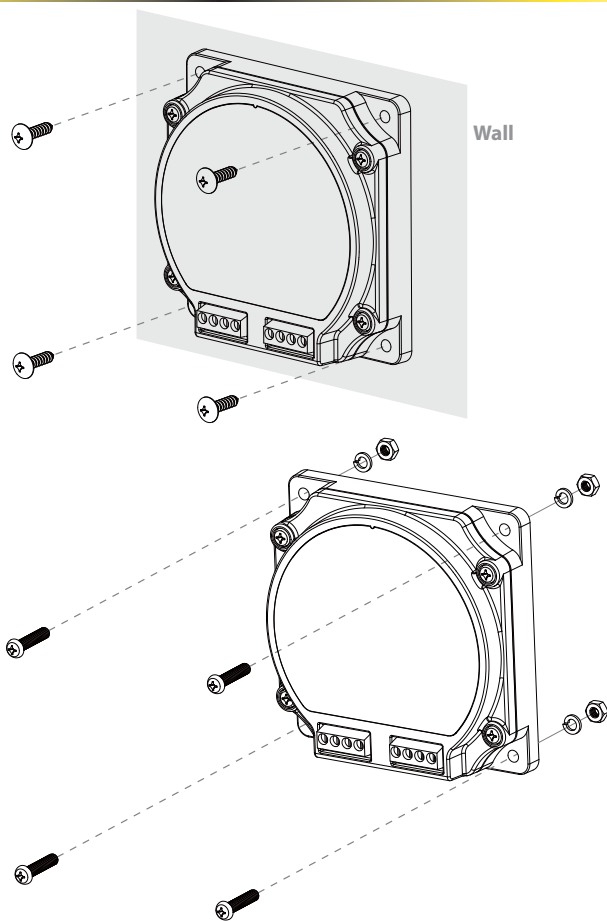
# Dimensions



# Dimensions (W/O Antenna)



# Assembling



[www.win-tec.com.tw](http://www.win-tec.com.tw)  
[sales@win-tec.com.tw](mailto:sales@win-tec.com.tw)